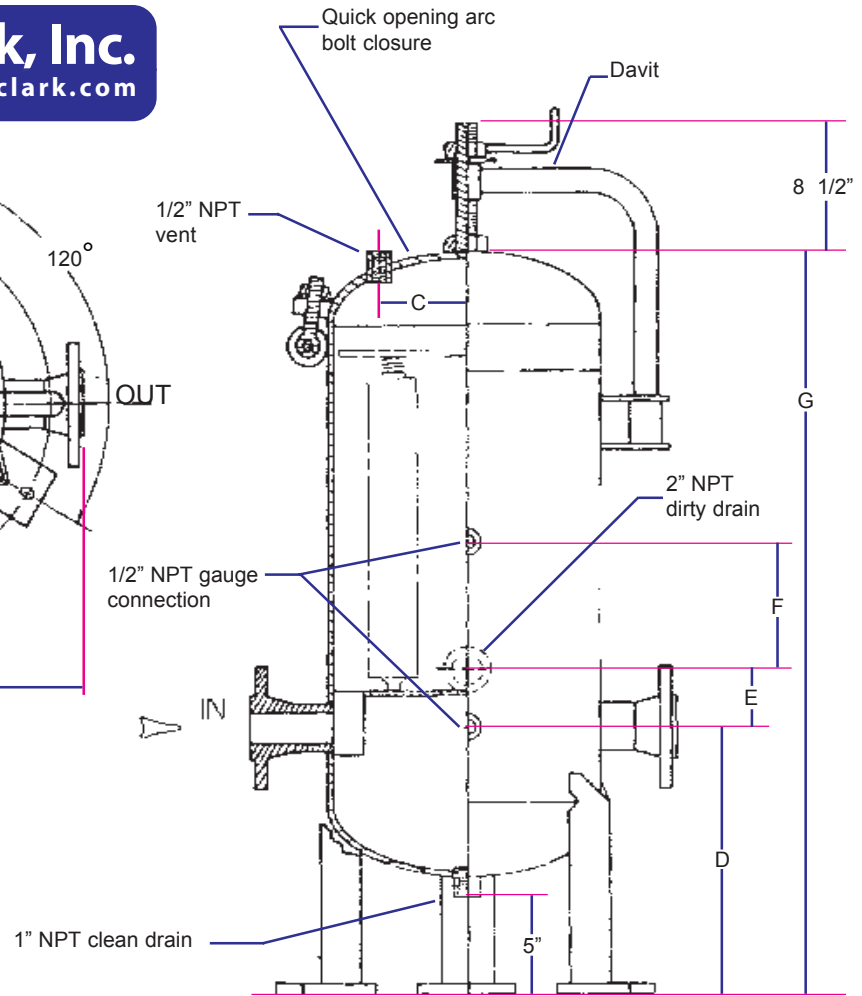
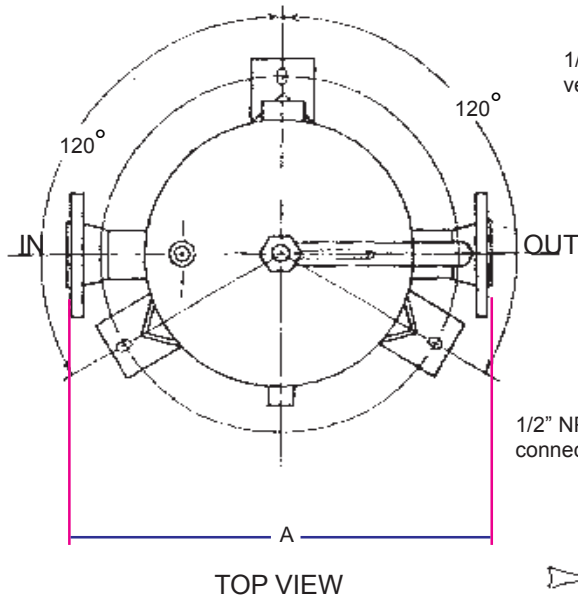


Gardner & Clark, Inc.

<http://www.gardner-and-clark.com>



Model Number	In/Out Size	No. of Ctdg.	Shell O.D.	A	B	C	D	E	F	Est. Wt.
8-4-336 S	2	4	8-5/8	20-5/8	14-1/8	2	14-5/8	2-7/8	56-5/8	219#
10-5-336 S	2	5	10-3/4	22-3/4	16-1/4	2	5-5/8	2-7/8	58-1/8	310#
12-8-336 S	2	8	12-3/4	24-3/4	18-1/4	3	16-1/4	2-7/8	59-1/4	373#
14-11-336 S	2	11	14	26	20	3	16-1/2	2-7/8	59-13/16	416#
16-15-336 S	3	15	16	28	22	4	17-3/4	3-7/16	62-1/8	543#
18-18-336 S	3	18	18	30	24	4	8-1/4	3-7/16	63-1/8	628#
20-23-336 S	3	23	20	32	26	5	18-3/4	3-7/16	64-1/8	720#
22-29-336 S	3	29	22	34	28	5	19-1/4	3-7/16	65-1/8	813#
24-36-336 S	3	36	24	36	30	6	19-3/4	3-9/16	66-1/4	928#
28-46-336 S	3	46	28	40	34	6	20-3/4	3-9/16	68-1/4	1158#
30-58-336 S	4	58	30	42	37-1/2	6	22	4-1/16	70-1/2	1335#
32-65-336 S	4	65	32	44	39-1/2	8	22-1/2	4-1/16	71-1/2	1510#
36-80-336 S	6	80	36	48	43-1/2	8	24-1/2	5-1/8	75-9/16	1782#